

COMEN

COMEN Share with the World



L5
Surgical Light



Shenzhen Comen Medical Instruments Co., Ltd.

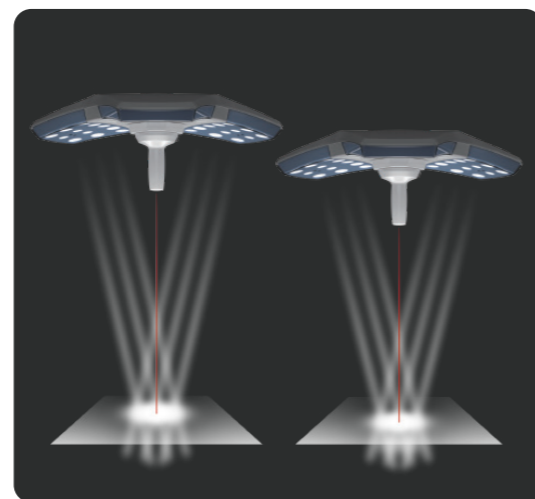
P/N: EN-L5-8P-20210528-V1.0

Add: No.2 of FIYTA Timepiece Building, Nanhuan Avenue, Matian Sub-district, Guangming District, Shenzhen, 518106, Guangdong, China.
Tel:+86-755-2640 8879 400-700-9488 Fax:+86-755-2643 1232 Website: en.comen.com E-mail: info@szcomen.com



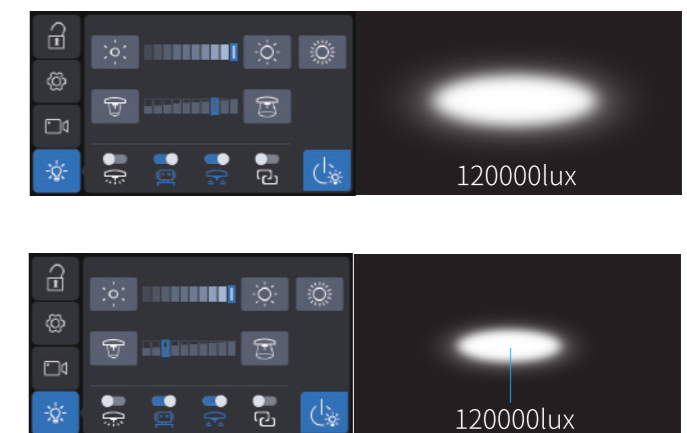
Adaptive Lighting

During the surgery, the medical staff will change the height of the surgical light according to the doctor's position change, which means the surgical light doesn't keep 1 meter from the wound and cause the focus change. L5 adopts adaptive lighting technology, the surgical light will automatically adapt to the distance of the wound and always keep the focus on the wound.



Smart Intensity

Turning on/off a part of the LED bulbs is the way to adjust the spot size, while a small spot is set, the light intensity will be decreased. In terms of deep-cavity surgeries such as heart surgery, they require a small spot and high illuminance, these demands cannot be satisfied at the same time. L5 adopts a smart intensity technology, while turning off a part of the LED bulbs, it will maintain the original illuminance.



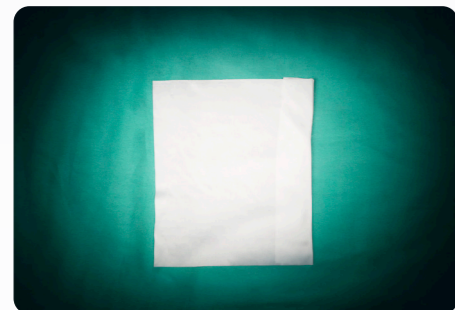
Stable Illumination

Almost of the traditional surgical lights adopts PWM dimming technology, it adjusts the illuminance by turning the bulbs on/off at a high frequency, which will cause a certain damage to the surgeon's eyes, on another hand, there will be waves during the surgical recording.

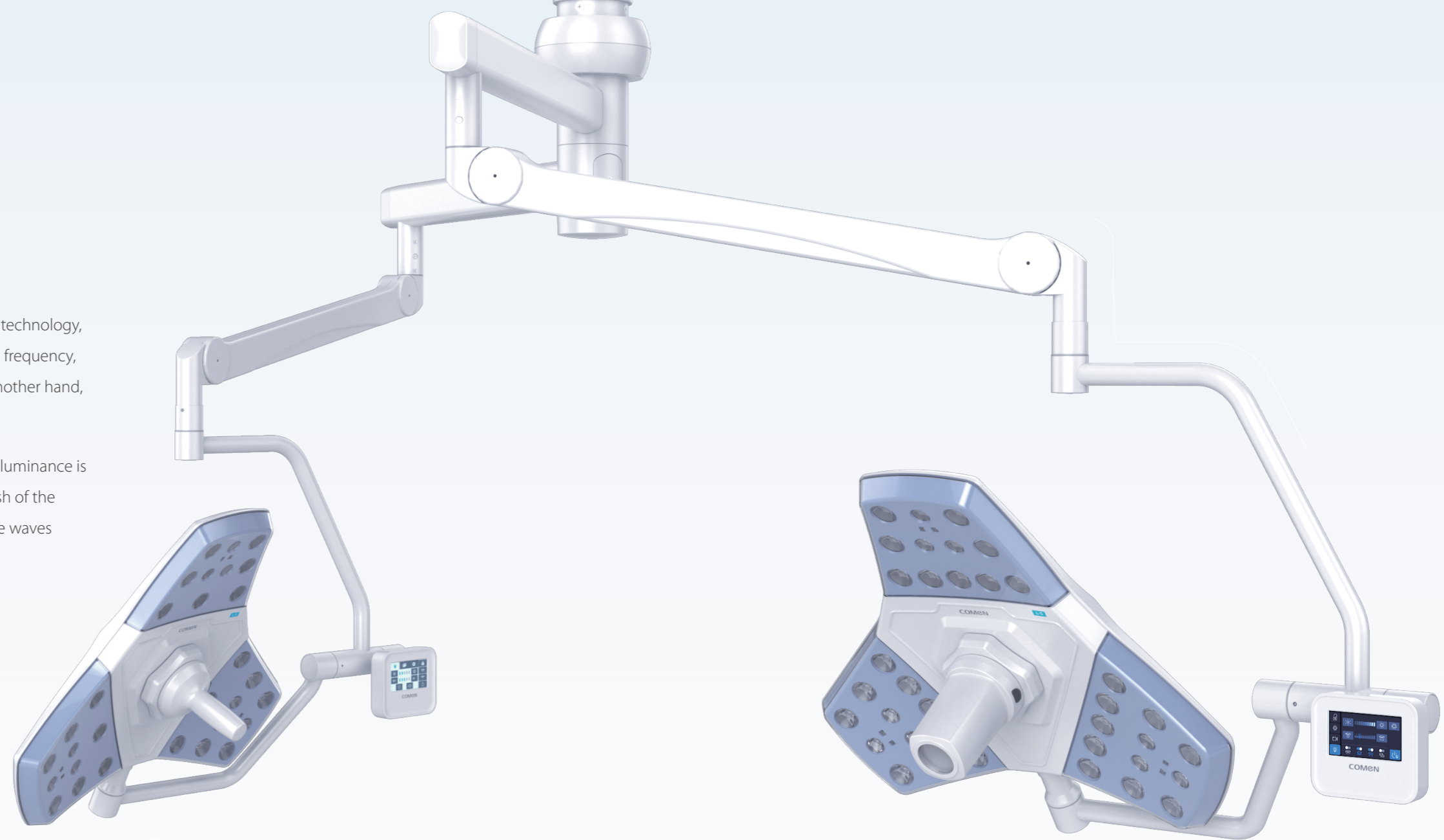
L5 adopts the advanced DC dimming technology, which the illuminance is controlled by voltage changes without the high frequency flash of the light, prevent the surgeons from the damage and will no cause waves during surgical recording



PWM dimming technology



DC dimming technology



Specialized Product, Specific Usage

As a new generation surgical light, L5 is able to provide a specialized surgical lighting solution for different surgery such as heart, orthopedics, endoscopy, spine, obstetrics and gynecology operations. Doctors are allowed to customize the setup such as illuminance, spot and other parameters according to the characteristics of the operation and the setup can be saved.





Low-intensity lighting

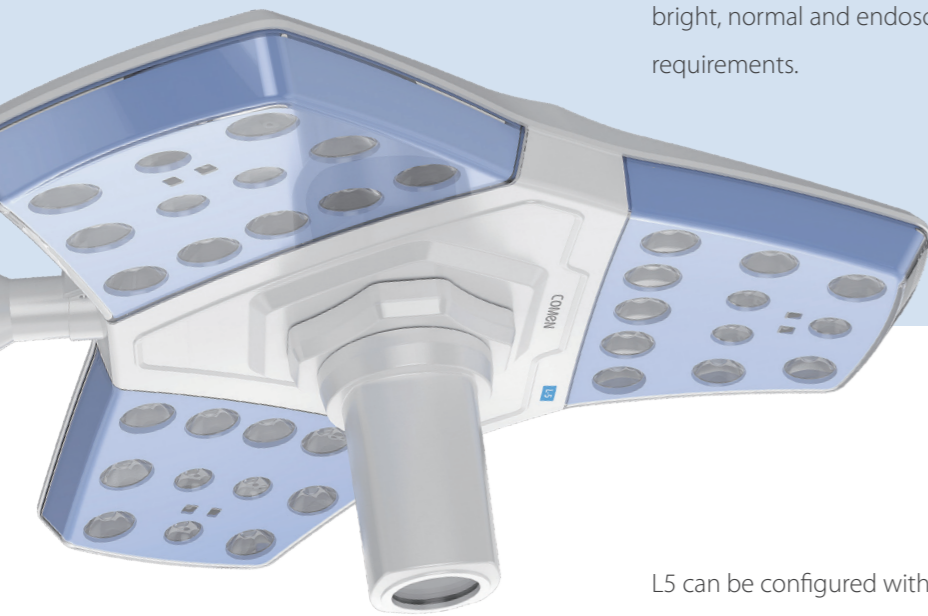


General lighting



High-intensity lighting

Different surgeries require specific illuminance, for example high-intensity lighting for heart and burn surgery, general lighting for superficial surgery, and low-intensity lighting for endoscopic surgery. L5 can provide bright, normal and endoscopic modes to satisfy several illumination requirements.



Efficient and convenient

L5 can be configured with a variety of control methods such as control panel, handle, wall control, and dual-lamp synchronous control as well as Smart-OR control, making the operation of medical staff more convenient



Control panel



Handle



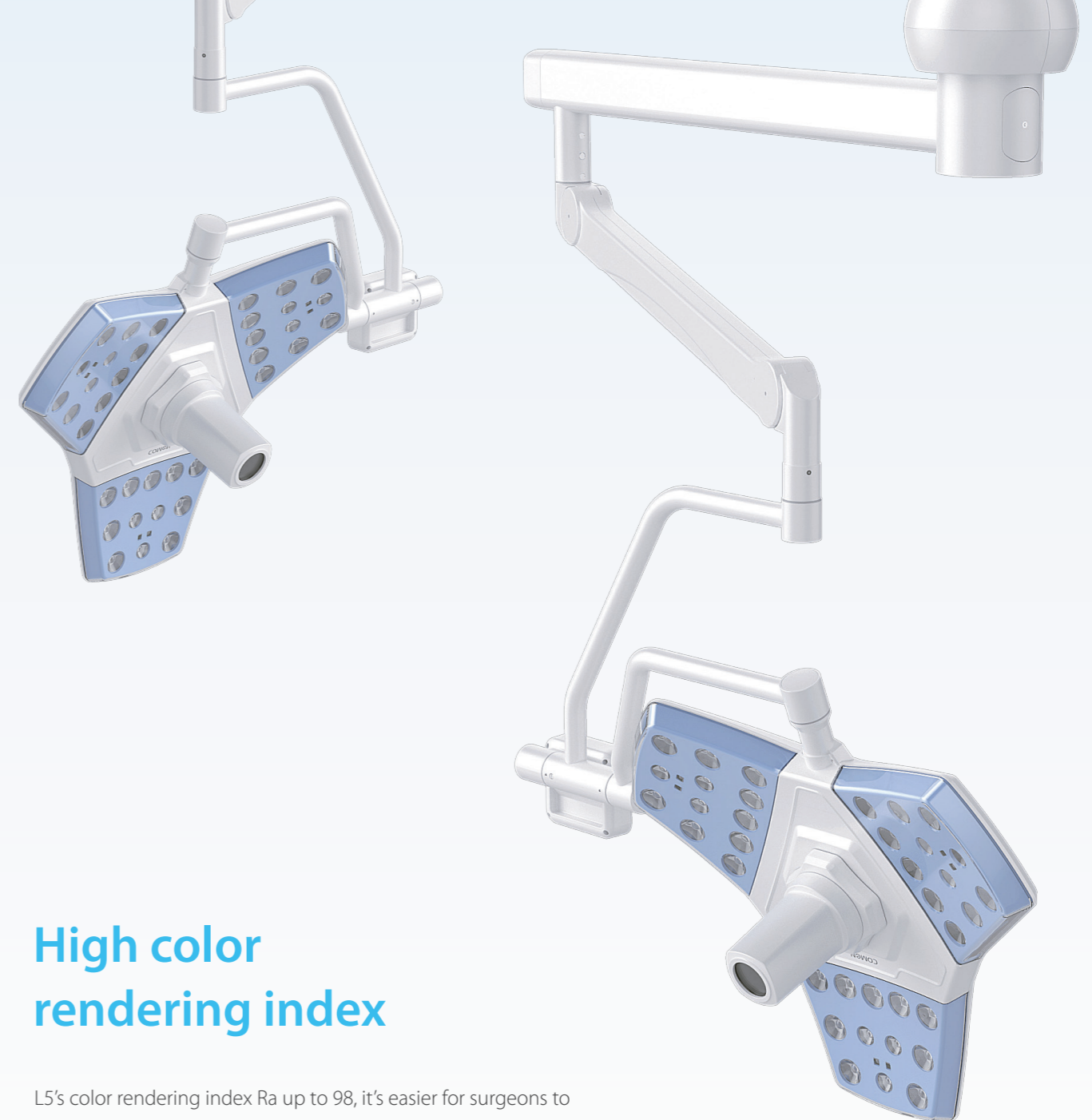
Wall control



Dual-lamp synchronous control



Smart-OR control



High color rendering index

L5's color rendering index Ra up to 98, it's easier for surgeons to distinguish the tissues and organs as well as bones.



CRI80



CRI70



CRI60