

## Gas Supply

### Specifications

Gas Supply	Medical-grade Oxygen
Pipe Connector	NIST or DISS
Gas Supply Pressure	280–600kPa

## Power & Battery Backup

### Specifications

External AC Power Supply Input Voltage	100–240V
Input Frequency	50/60Hz
Input Current	2.5A Max
Fuse	T3.15AH/250V
Number of Batteries	One or Two (Optional)
Battery Type	Build-in Lithium-ion Battery, 14.4VDC, 6900mAh
Battery Running Time	3 hours (1 Qty Battery) 6 hours (2 Qty Battery)

## Communication interface

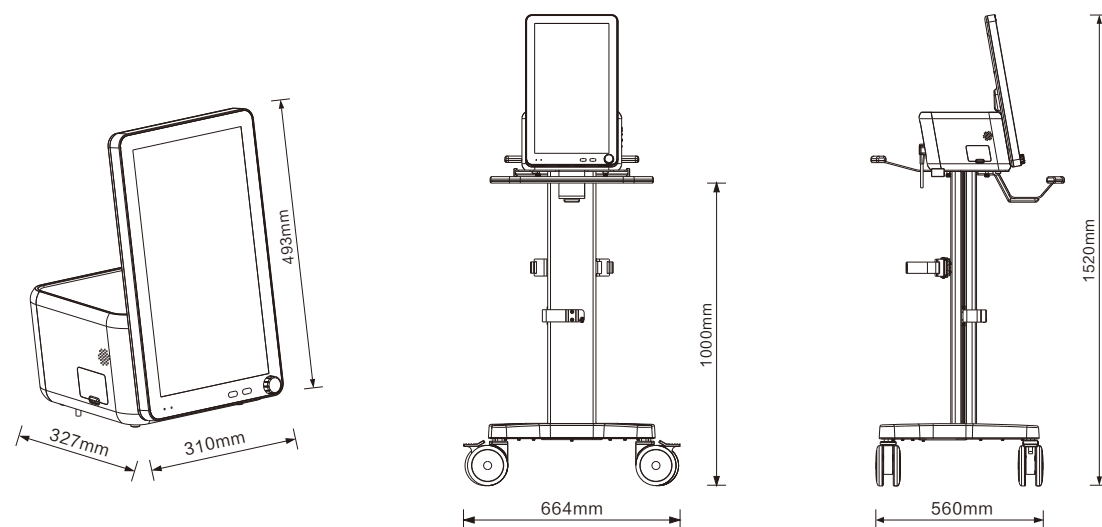
### Specifications

Communication Interface	HDMI, RS232, USB, Nurse call, CO <sub>2</sub> Module Connector, SPO <sub>2</sub> Module Connector
-------------------------	---

## Value Added Functions

### Specifications

100%O<sub>2</sub>  
Suction  
Nebulization  
Manual Breath  
Inspiratory Hold  
Expiratory Hold  
PEEPi  
P0.1  
NIF  
PV Tool



**resvent**

Resvent Medical Technology co.,Ltd.

602, Building B&C, Gaoxinqi Industrial Park phase I, Liuxian  
No.1 Road, Baoan District, Shenzhen 518100, P. R. CHINA  
0086-755-23027370-808  
info@resvent.com  
www.resvent.com



# RS 300 Ventilator

## DATASHEET



## Physical Specifications

### Specifications

Dimensions(L*W*H)	310mm * 327mm* 493mm ( main unit ) 664mm * 600mm * 1520mm (with trolley )
Weight	Approximately 12.0kg ( main unit ) , Approximately 33.0kg (with trolley )

## Display

### Specifications

Display Size	18.5 inch-TFT Touch Screen
Display Resolution (H) x (V)	1080 * 1920pixels
Brightness	Adjustable

## Ventilation Specifications

### Specifications

Patient Type	Adult, Pediatric, Neonatal
Invasive Ventilation Mode	<ul style="list-style-type: none"> <li>• VCV (Volume Control Ventilation)</li> <li>• PCV (Pressure Control Ventilation)</li> <li>• VSIMV (Volume Synchronized Intermittent Mandatory Ventilation)</li> <li>• PSIMV (Pressure Synchronized Intermittent Mandatory Ventilation)</li> <li>• CPAP/PSV (Continuous Positive Airway Pressure/Pressure Support Ventilation)</li> <li>• PRVC (Pressure Regulated Volume Control)</li> <li>• V+SIMV (PRVC+SIMV)</li> <li>• BPAP (Bilevel Positive Airway Pressure)</li> <li>• APRV (Airway Pressure Release Ventilation)</li> <li>• Apnea Ventilation</li> </ul>
Non-invasive Ventilation Mode	<ul style="list-style-type: none"> <li>• CPAP (Continuous Positive Airway Pressure)</li> <li>• PCV (Pressure Control Ventilator)</li> <li>• PPS (Proportional Pressure Support)</li> <li>• S/T (Spontaneous and Timed)</li> <li>• VS (Volume Support)</li> </ul>

**resvent**

## Controlled Parameters

Specifications	Adult, Pediatric	Neonatal
O <sub>2</sub> %	21–100%	21–100%
VT (Tidal Volume)	100–2000mL (Adult) 20–300mL (Pediatric)	2–300mL
f	1–80bpm	1–150bpm
f–SIMV	1–80bpm	1–150bpm
I:E	1:10 –4:1	1:10 –4:1
T–insp.	0.2–10s	0.20–10s
T–slope	0–2s	0–2s
T–high	0.2–30s	0.2–3s
T–low	0.2–30s	0.2–30s
T–pause	5%–60% , Off	5%–60% , Off
ΔP–insp.	5–60cmH <sub>2</sub> O	3–60cmH <sub>2</sub> O
ΔP–supp.	0–60cmH <sub>2</sub> O	0–60cmH <sub>2</sub> O
P–high	0–60cmH <sub>2</sub> O	0–60cmH <sub>2</sub> O
P–low	0–45cmH <sub>2</sub> O	0–25cmH <sub>2</sub> O
PEEP	1–45cmH <sub>2</sub> O , Off	1–25cmH <sub>2</sub> O , Off
Flow Trigger	0.5–15L/min	0.1–5L/min
Pressure Trigger	–10 –(–0.5)cmH <sub>2</sub> O	/
Exp%	10–85% , Auto	10–85% , Auto
CPAP	4–25cmH <sub>2</sub> O	/
EPAP	4–25cmH <sub>2</sub> O	/
IPAP	4–20cmH <sub>2</sub> O	/
Rise time	1–5	/
Ramp time	5–45min , Off	/
P–min (VS minimum IPAP)	5–30cmH <sub>2</sub> O	/
P–max (VS maximum IPAP)	6–40cmH <sub>2</sub> O	/
P–max (PPV maximum pressure limit)	5–40cmH <sub>2</sub> O	/
V–max (PPV maximum volume limit)	200–3500mL	/
E–max	0–100cmH <sub>2</sub> O/L	/
R–max	0–50cmH <sub>2</sub> O/L/s	/
PPV%	0–100%	/

## Apnea Ventilation

Specifications	
VT–apnea	Adult: 100–2000mL Pediatric: 20–300mL Neonatal: 2–300mL
ΔP–apnea	5–60cmH <sub>2</sub> O
f–apnea	1–80bpm
Apnea T–insp.	0.2–10s

## Sigh

Specifications	
Sigh Switch	On, Off
Interval	20s–180min
Cycles Sigh	1–20
Δ int.PEEP	1– 45 cmH <sub>2</sub> O , Off

## Synchronized Tube Resistance Compliance

Specifications	
Tube Type	ET Tube, Trach Tube, Disable STRC
Tube I.D.	Adult: 5.0–12.0mm Pediatric: 2.5–8.0mm

Compensate	0–100%
Expiration Compensation Switch	On, Off

## Monitored Parameters

Numeric		
Paw	Vte	C–dyn.
P–peak	VTi	C–stat.
P–plat.	VTe–spn.	RC–exp.
P–mean	VTe/IBW	WOB
PEEP	FiO <sub>2</sub>	RSBI
PIP	f	Pt.–trig.
EPAP	f–total	Pt.–leak
MV	I:E	Tot.–leak
MV–leak	Re	Continuous Flow (O <sub>2</sub> Therapy)
MV–spn.	Ri	

Real Time Graphics	
Pressure–time Waveform	Pressure–volume Loop
Flow–time Waveform	Flow–time Loop
Volume–time Waveform	Pressure–flow Loop

## Alarm Settings

Specifications	Type	Adult	Pediatric	Neonatal
Tidal Volume	High	110–4000mL, Off	25–600mL, Off	4–600mL, Off
	Low	50–4000ml, Off	10–600mL, Off	1–590mL, Off
Minute Volume	High	0.2–100.0L/min	0.2–60.0L/min	0.12–50.0L/min
	Low	0.1–50.0L/min	0.1–30.0L/min	0.02–30.0L/min
Airway Pressure	High	10–65cmH <sub>2</sub> O	10–65cmH <sub>2</sub> O	10–65cmH <sub>2</sub> O
	Low	10–63cmH <sub>2</sub> O , Off	10–63cmH <sub>2</sub> O , Off	10–63cmH <sub>2</sub> O , Off
Frequency	High	1– 90bpm , Off	1– 90bpm , Off	1~160bpm , Off
	Low	1– 88bpm , Off	1– 88bpm , Off	1~158bpm , Off
O <sub>2</sub> Concentration	High	20–100%	20–100%	20–100%
	Low	18–98%	18–98%	18–98%
Apnea Alarm Time	Low	5–60s	5–60s	5–60s

## O<sub>2</sub> Therapy

Specifications	O <sub>2</sub> %	Flow
Controlled Parameters	21–100% (Increments of 1%)	4–60L/min
Controlled Accuracy	± (3vol.% +1% of Setting)	± (2L/min+10% of Setting) (BTPS)

## Trend & Record

Specifications	
Type	Tabular, Graphic
Length	72 hours
Content	Monitor Parameters
Max Log	20000
Screen Capture	500

## Environmental Specifications

Specifications	Operating	Storage and transport
Temperature	5–40°C	–20 – 60°C , O <sub>2</sub> Sensor: –20 – 50°C
Relative Humidity	10–95%	10–95%
Barometric Pressure	62–106kPa	50–106kPa